



**SPARE PARTS CATALOGUE  
ERSATZTEILKATALOG  
CATALOGUE PIECES DETACHEES  
CATALOGO PARTI RICAMBIO  
CATALOGO DE PIEZAS DE RECAMBIO  
CATALOGO PECAS, DE REPOSICAO**

Catalogo parti di ricambio valido  
dalla matricola 4363566 ad oggi (17/11/2021)

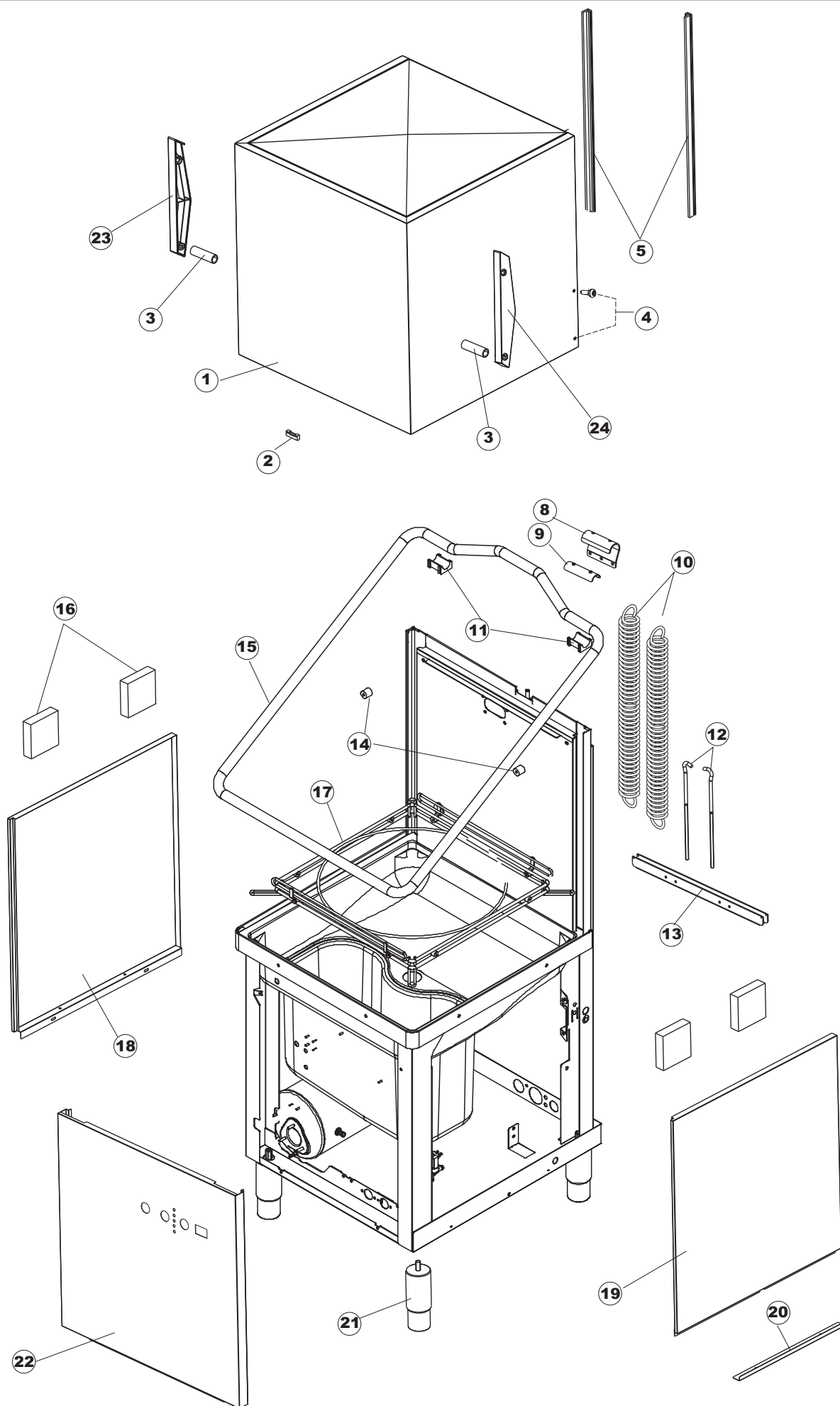
Catalogue pieces detachees  
du numero de Série n. 4363566 jusqu'à aujourd'hui (17/11/2021)

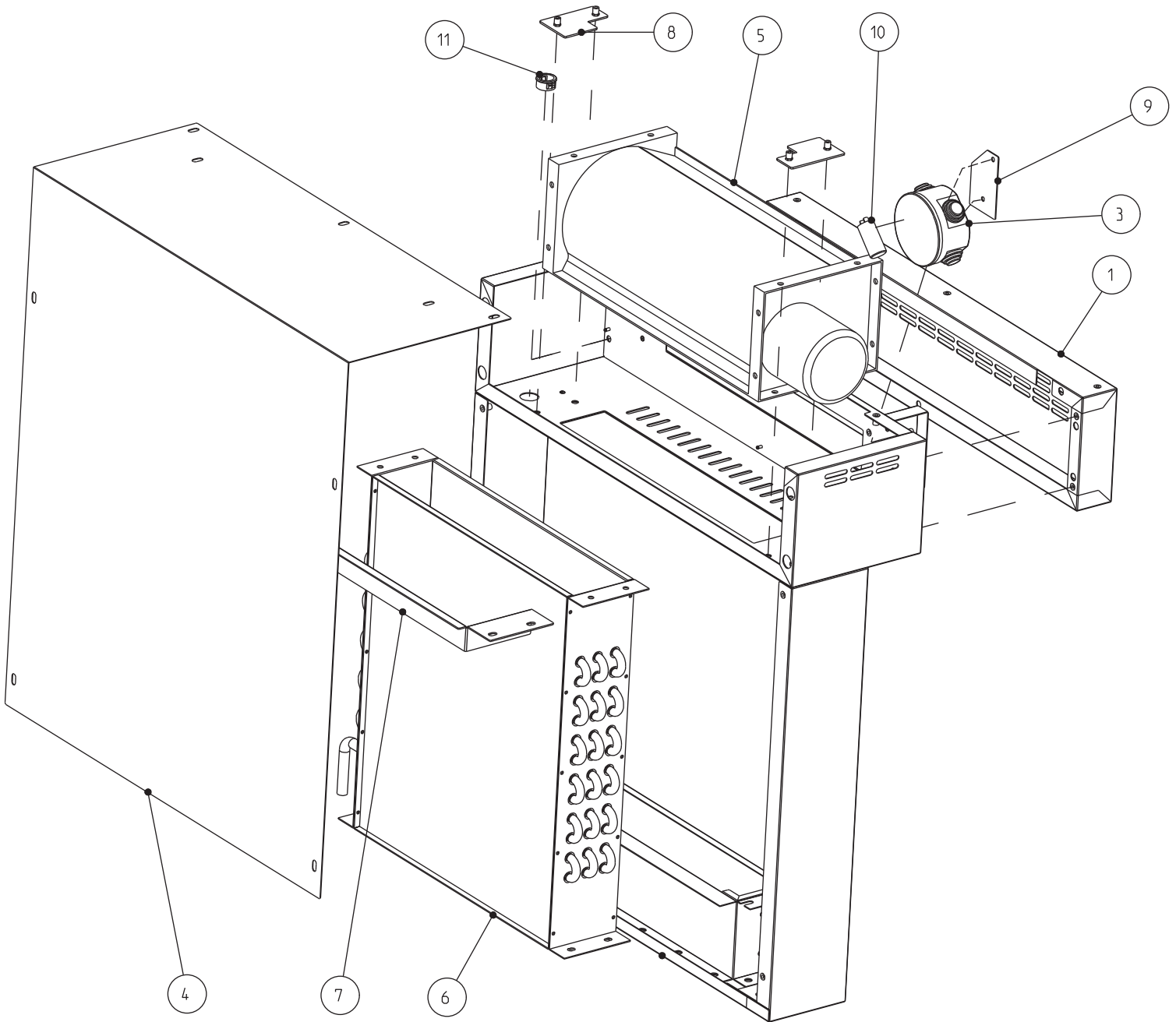
Ersatzteilkatalog  
gültig ab Serien-Nr. 4363566 bis heute (17/11/2021)

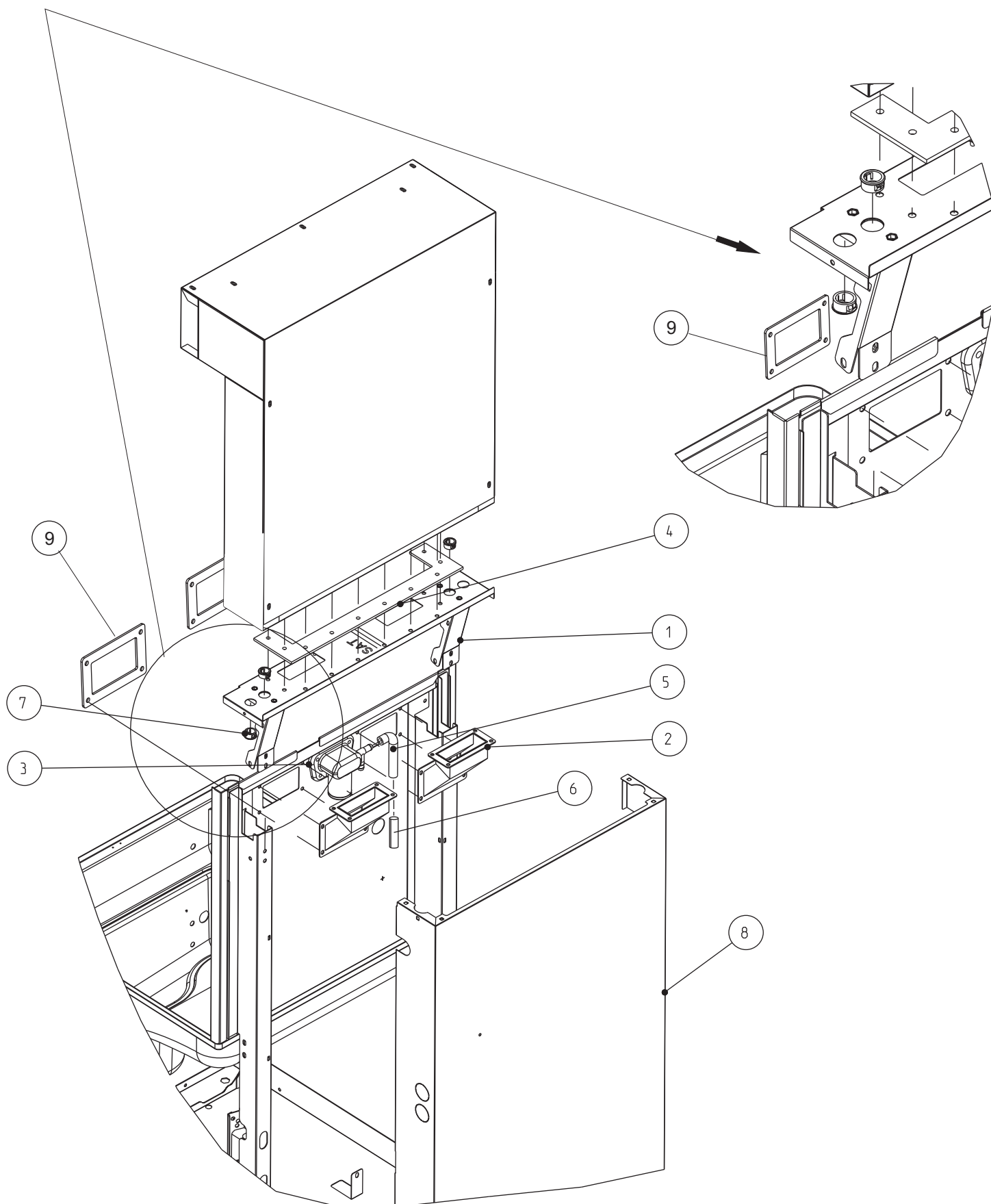
Spare parts catalogue  
valid from serial no. 4363566 up today (17/11/2021)

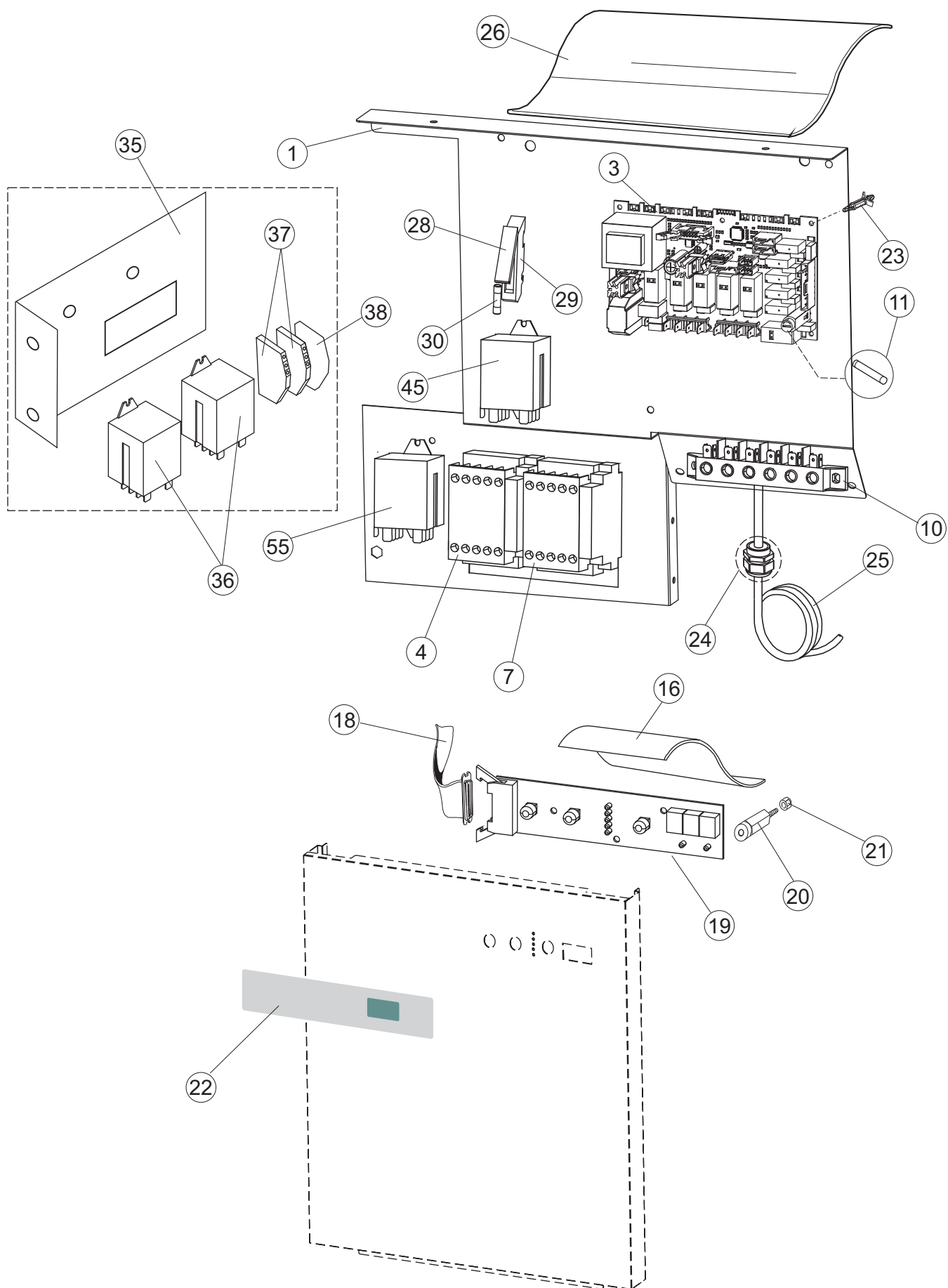
Catálogo de peças de reposição  
válido do número de série 4363566 até hoje (17/11/2021)

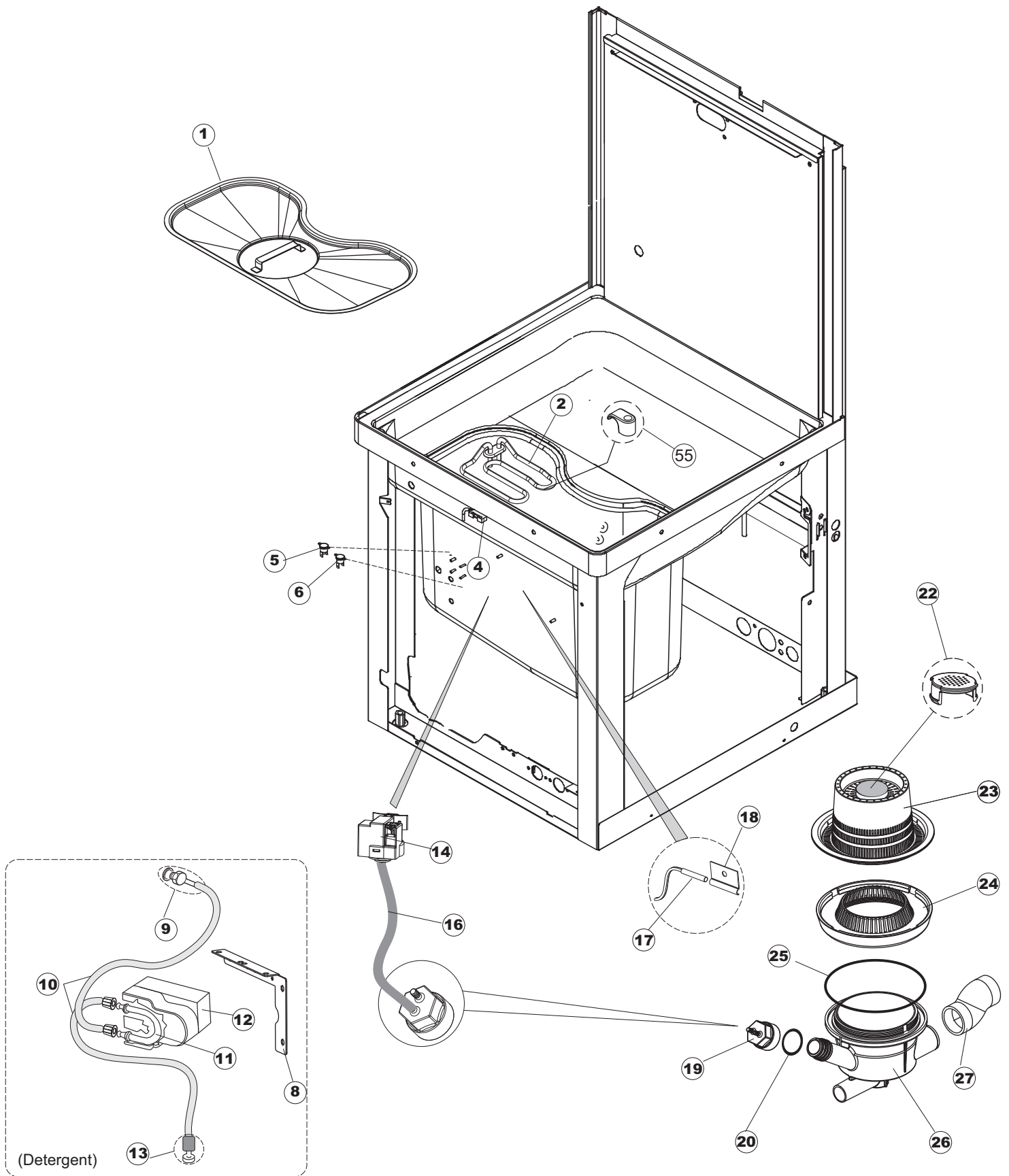
**CP4550EDBDRC**

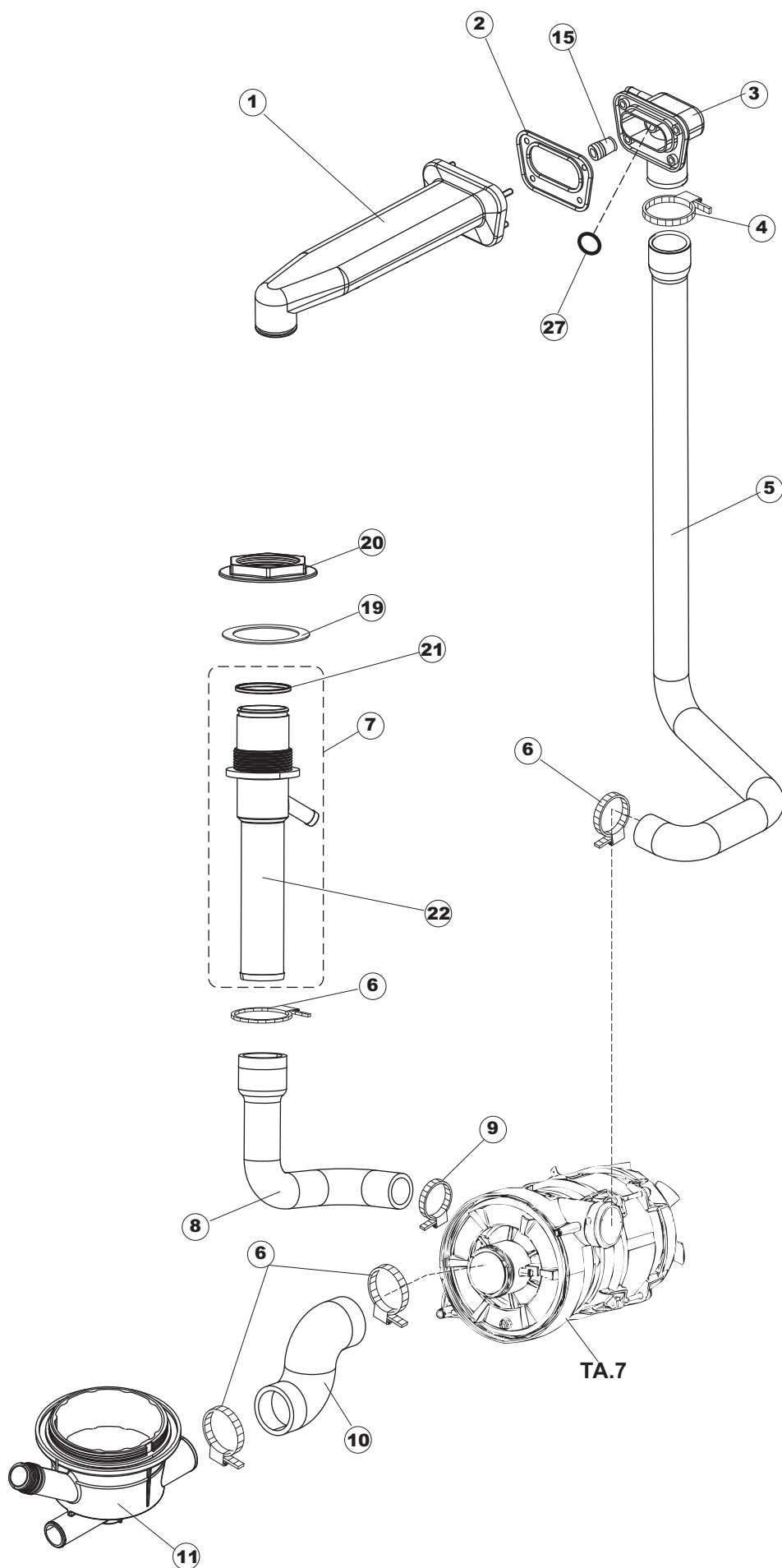


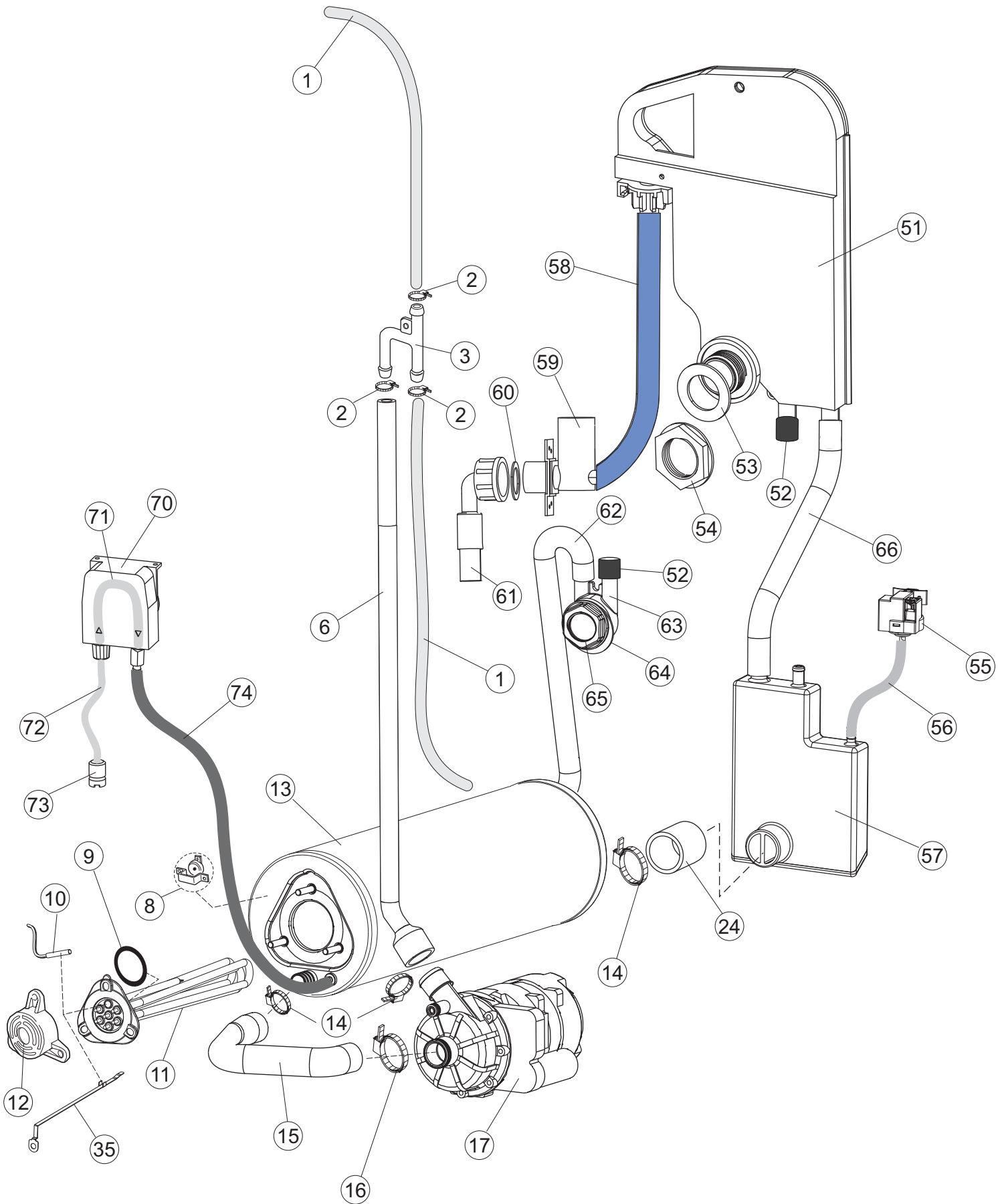




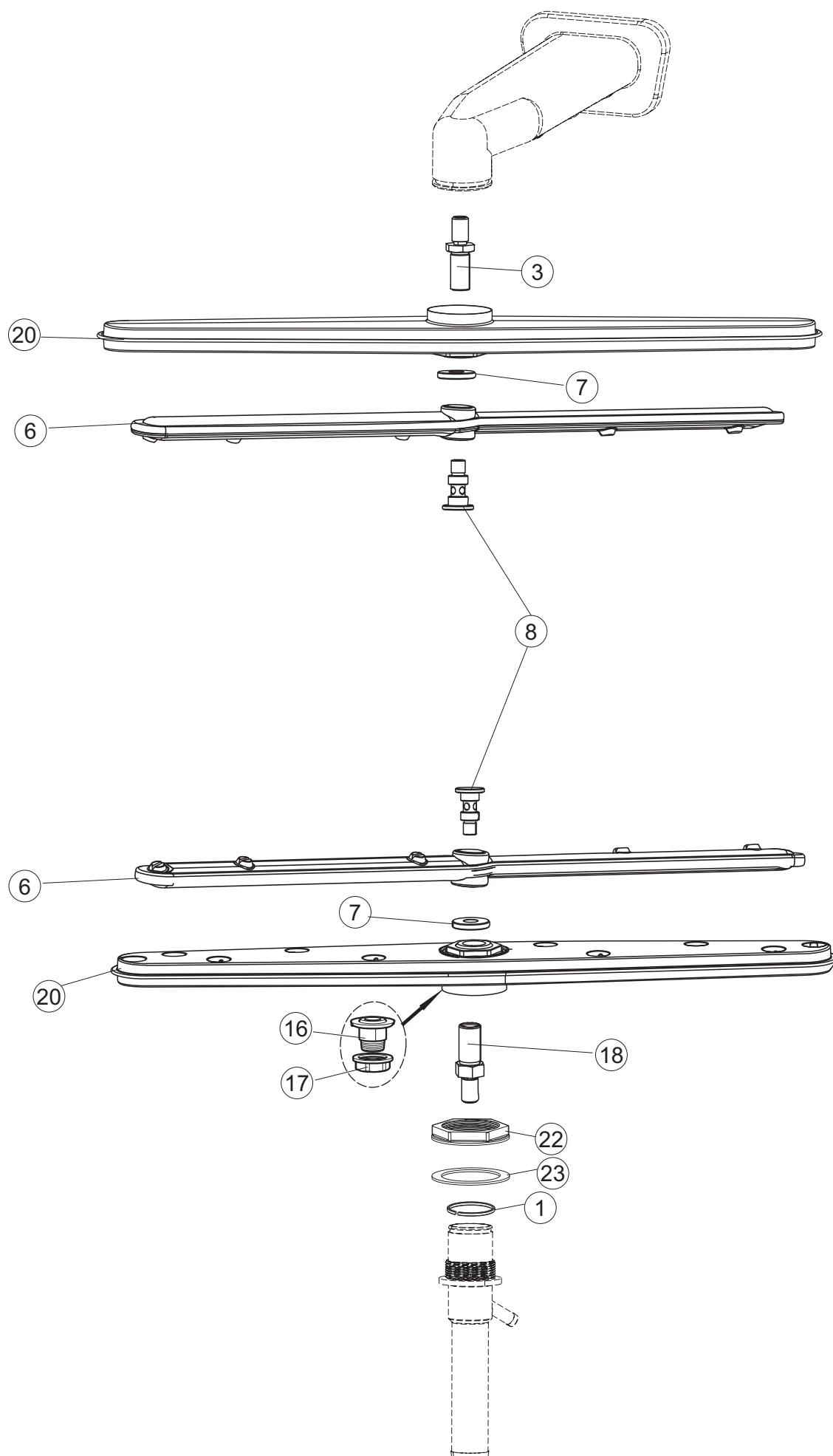


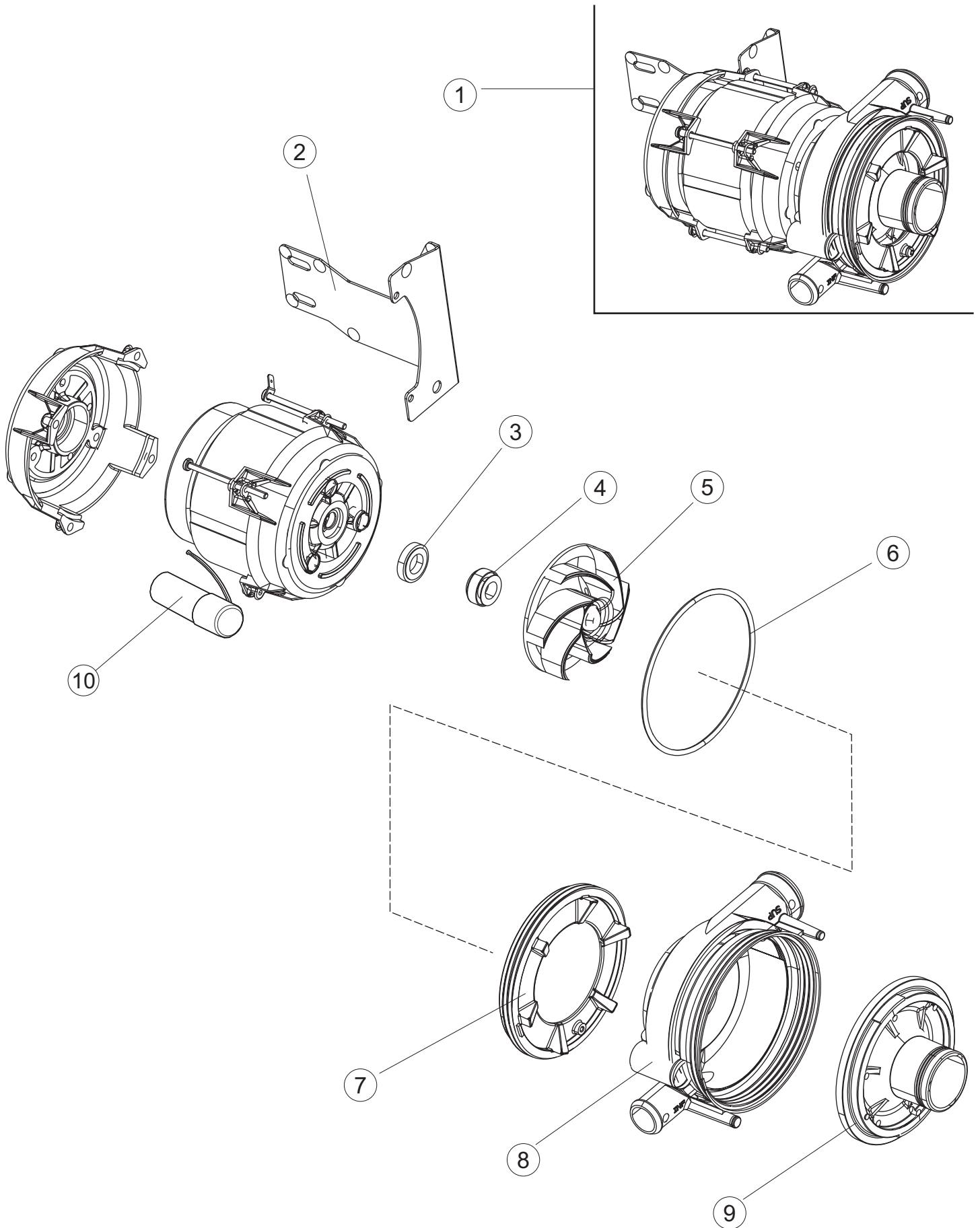


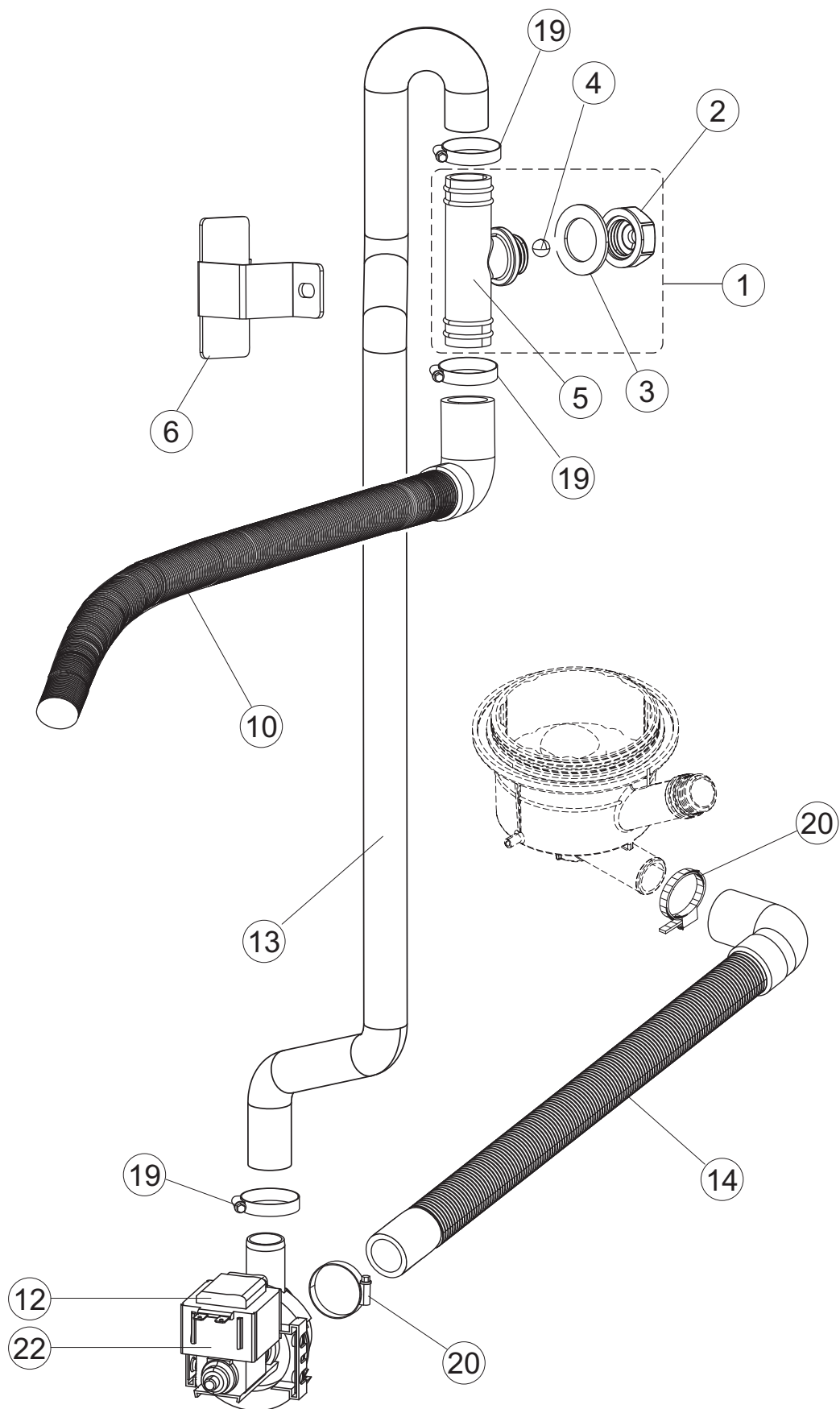












(\*) Recommended spare part.

Page	Spare part position	Spare part code no.	Old code number	Description	U.m.
1	1	K74142		COMPLETE SQUARED HOOD ASSEMBLY	NR
1	2	927088		MAGNET FOR HOOD MICROSWITCH	NR
1	3	70212		SPACER	NR
1	4	80998		SCREW	NR
1	5	74068		HOOD DRIVE	NR
1	8	80275		COIL HOOKING BRACKET - COMPLETE	NR
1	9	80277		SPRING HOOKING SLIDE	NR
1	10	926108		EXTENSION STEEL SPRING FOR DISHWASHER	NR
1	11	80190		BRACKET	NR
1	12	926009		SPRING ADJUSTMENT HOOK	NR
1	13	74923		HOLDER TENSION SPRING	NR
1	14	80105		HOOD / DOOR STOP	NR
1	15	74521		HANDLE NH/GH50	NR
1	16	41042		ADHESIVE PLUG	NR
1	17	K80240		RACK FRAME	NR
1	18	69571		LEFT SIDE PANEL	NR
1	19	69572		RIGHT SIDE PANEL	NR
1	20	80078		SUPPORT BRACKET	NR
1	21	73100		FOOT	NR
1	22	69584		FRONT PANEL	NR
1	23	70208		LEFT LEVER HOOD	NR
1	24	70209		RIGHT LEVER HOOD	NR
2	1	70503		PANEL ASPIRATION STEAM COMPLETE	NR
2	3	70579		BOX	NR
2	4	70518		PRICE TO BE DEFINED	
2	5	70521		VENTILATORE PER RECUPERATORE CAPOT	NR
2	6	70523		BATTERY (CU-AL) ART.B-9251438	NR
2	7	70524		BRACKET	NR
2	8	70525		BRACKET	NR
2	9	70526		BRACKET	NR
2	10	70536		PRICE TO BE DEFINED	
2	11	70549		BOCCOLE PASSACAVO SB875-11 NERE	NR

(\*) Recommended spare part.

Page	Spare part position	Spare part code no.	Old code number	Description	U.m.
3	1	70504		BACK PANEL	NR
3	2	70529		HEAT RECOVERY WATER PIPE	NR
3	3	70539		PIPE FITTING	NR
3	4	70540		GASKET	NR
3	5	80176		CAP	NR
3	6	80176		CAP	NR
3	7	70549		BOCCOLE PASSACAVO SB875-11 NERE	NR
3	8	74162		BACK PANEL	NR
3	9	70569		FLANGIA RECUPERATORE LASERATA	NR
4	1	74043		WIRING PANEL	NR
4	3	215042-1		MAIN BOARD GET50.2	NR
4	4	229042		AUXILIARY CONTACT	NR
4	7	73350		CONTACTOR	NR
4	10	220011		TERMINAL BLOCK	NR
4	11	228010		FUSE	NR
4	16	69810		CURTAIN	NR
4	18	80934		FLAT CABLE	NR
4	19	80945		PUSH BUTTONS ASSEMBLY	NR
4	20	419036		INTERFACE BOARD DISTANCE KEEPERS	NR
4	21	417119		NUT	NR
4	22	74767		CONTROL ADHESIVE INTERFACE	NR
4	23	CWP2		FOOT	NR
4	24	DEP521		CABLE GLAND	NR
4	25	69803		POWER CABLE	NR
4	26	80731		PVC CURTAIN FOR ELECTRIC PROTECTION	NR
4	28	74935		FUSE-HOLDER	NR
4	29	H.228048		PRICE TO BE DEFINED	
4	30	228010		FUSE	NR
4	35	73219		SUPPORT BRACKET	NR
4	36	929115		RELAY 16A 230V	NR
4	37	74938		TERMINAL	NR
4	37	74938		TERMINAL	NR

(\*) Recommended spare part.

Page	Spare part position	Spare part code no.	Old code number	Description	U.m.
4	37	74938		TERMINAL	NR
4	38	74939		TERMINAL	NR
4	38	74939		TERMINAL	NR
4	38	74939		TERMINAL	NR
4	45	DER111		PRICE TO BE DEFINED (PART NR. REPLACED BY 229029)	
4	45	229029		RELAY	NR
4	55	229039		RELAY	NR
5	1	80259		PLASTIC FILTER	NR
5	2	73168		HEATING ELEMENT 2500W 230V	NR
5	4	80871		MAGNETIC DOOR SWITCH	NR
5	5	236052		THERMOSTAT 90+/-3C	NR
5	6	236061		THERMOSTAT 127	NR
5	8	74052		BRACKET	NR
5	9	999348		DETERGENT TANK FITTING	NR
5	10	143194		PIPE	MT
5	11	143258		"SANTOPRENE" PIPE	NR
5	12	209043		DETERGENT DOSING PUMP	NR
5	13	121993		FILTER AID DISPENSER	NR
5	14	224031		PRESSURE SWITCH	NR
5	16	143235		PIPE	MT
5	17	231016		TEMPERATURE PROBE	NR
5	18	H.775489-001		SUPPORT TEMPERATURE PROBE	NR
5	19	107013		AIR TRAP FOR PRESSURE SWITCH	NR
5	20	456073		O-RING	NR
5	22	480162		PLUG	NR
5	23	121135		SUCTION FILTER UNIT	NR
5	24	429072		RING NUT	NR
5	25	456076		O-RING	NR
5	26	74073		ASPIRATION AND DRAIN BODY	NR
5	27	74008		DELIVERY WASH HOSE	NR
5	55	999351		GROUP STOPPED TANK HEATER	NR
6	1	73178		MAINFOLD	NR

(\*) Recommended spare part.

Page	Spare part position	Spare part code no.	Old code number	Description	U.m.
6	2	80178		GASKET	NR
6	3	K70539		PIPE FITTING	NR
6	4	CFS1A		HOSE CLAMP	NR
6	5	69020		PIPE	NR
6	6	CFS1		HOSE CLAMP	NR
6	7	74016		MAINFOLD	NR
6	8	73024		DELIVERY WASH HOSE	NR
6	9	423008		PRICE TO BE DEFINED	
6	10	74008		DELIVERY WASH HOSE	NR
6	11	74073		ASPIRATION AND DRAIN BODY	NR
6	15	441009		GASKET	NR
6	19	75873		GASKET	NR
6	20	75872		NUT WASTE DRAIN	NR
6	21	303040		RING	NR
6	22	74013		MAINFOLD	NR
6	27	CGR3037		O-RING	NR
7	1	143010		RUBBER PIPE 12X19,5	MT
7	2	927322		HOSE CLAMP	NR
7	3	143268		JUNCTION "Y"	NR
7	6	41525		RINSE DELIVERY TUBE(CRP)	NR
7	8	926189		CONTACT SAFETY-THERMOSTAT	NR
7	9	456002		O-RING	NR
7	10	231016		TEMPERATURE PROBE	NR
7	11	230020C		KIT HEATING ELEMENTS REB230020 (8KW)	NR
7	12	69870		BOILER HEATING ELEMENT PROTECTION	NR
7	13	70389		BOILER	NR
7	14	CFS18		HOSE CLAMP	NR
7	15	69068		PIPE	NR
7	16	423008		PRICE TO BE DEFINED	
7	17	80627		RINSE PUMP 50 HZ	NR
7	24	127095		BOILER PIPE	NR
7	35	69871		PROBE HOLDER	NR

(\*) Recommended spare part.

Page	Spare part position	Spare part code no.	Old code number	Description	U.m.
7	51	144033		BREAK TANK	NR
7	52	480160		COVER	NR
7	53	437118		RUBBER GASKET	NR
7	54	00-324384-000		NUT FOR 1" AIR-GAP	NR
7	55	224031		PRESSURE SWITCH	NR
7	56	143235		PIPE	MT
7	57	K144035		KIT LOADING SYSTEM BOILER CRP2 WITH BELL PRESSURE SWITCH AND HOSE	NR
7	58	143222		INLET WRAS PIPE	MT
7	59	240021		SOLENOID VALVE	NR
7	60	437041		GASKET	NR
7	61	143277		INLET HOSE	NR
7	61	143277		INLET HOSE	NR
7	61	143277		INLET HOSE	NR
7	62	74556		HOSE	NR
7	63	468209		PIPE FITTING	NR
7	64	437080		GASKET	NR
7	65	429083		RING NUT	NR
7	66	143004		PIPE	MT
7	70	209042		DOSING PUMP	NR
7	71	143261		HOSE	NR
7	72	H.775601		PIPE	MT
7	73	121993		FILTER AID DISPENSER	NR
7	74	143005		LINEN RUBBER PIPE 5X12 - BLACK	MT
8	1	80184		SEALING RING	NR
8	3	69237		EXTENSION FOR STUD	NR
8	6	129080		COMPLETE RINSE ARM	NR
8	7	80697		RING NUT	NR
8	8	80700		PIVOT	NR
8	16	79044		WASHING ARM BUSH C600	NR
8	17	308031		RING NUT	NR
8	18	69237		EXTENSION FOR STUD	NR
8	20	80348		COMPLETE WASH ARM	NR



(\*) Recommended spare part.

Page	Spare part position	Spare part code no.	Old code number	Description	U.m.
8	22	75872		NUT WASTE DRAIN	NR
8	23	75873		GASKET	NR
9	1	73048		WASHPUMP	NR
9	2	73070		SUPPORT BRACKET	NR
9	3	141008		WASHPUMP SHAFT SEAL	NR
9	4	141009		WASHPUMP SHAFT SEAL	NR
9	5	73076		ELECTROPUMP IMPELLER 73048 (3235)	NR
9	6	456078		O-RING	NR
9	7	429074		RING NUT	NR
9	8	73052		ELECTROPUMP HOUSING	NR
9	9	73051		PLUG	NR
9	10	73055		CAPACITOR	NR
10	1	73576		SP2 VENT VALVE	NR
10	2	468199		PIPE FITTING	NR
10	3	437083		GASKET	NR
10	4	476008		SPHERE	NR
10	5	144024		VENT VALVE	NR
10	6	73574		BRACKET	NR
10	10	143137		DRAIN HOSE	NR
10	12	999363		DRAIN PUMP90- V 220/240- F50	NR
10	13	73571		SLEEVE	NR
10	14	70097		DRAIN HOSE	NR
10	19	CFS18		HOSE CLAMP	NR
10	20	CFS1		HOSE CLAMP	NR
10	22	130181		PART NUMBER NO LONGER AVAILABLE	